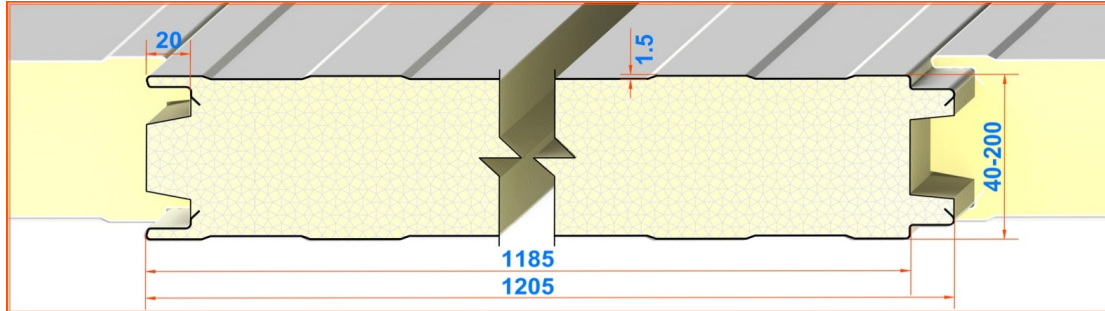


ProfHoloD Polyurethane foam (PUR) insulated panels and Fireproof Polyisocyanurate (PIR) insulated panels

VAT not included Price-list in Euro

WALL PANELS

Polyurethane foam (PUR)

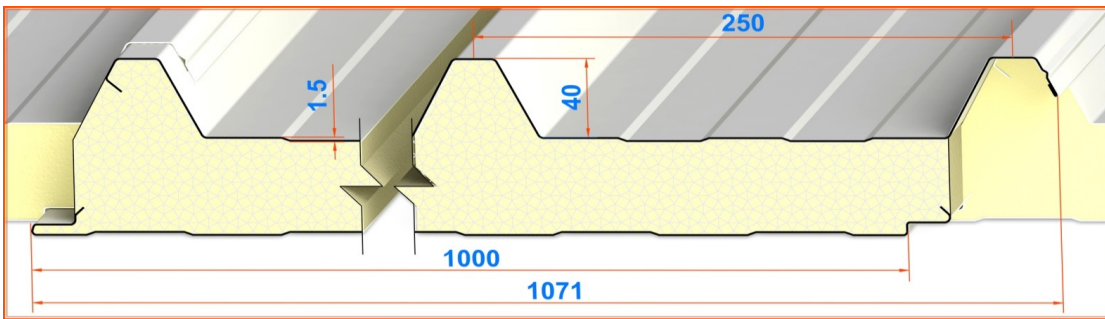
Exterior coating		Panels' thickness, mm / Type of stud-spline joint										
		1x-spline				2x-spline						
Side A	Side B	40	50	60	80	100	120	140	150	160	180	200
Fire resistance class		EI 15										
Ral	Ral	17	18	19	21	24	26	29	29	32	34	36
	Zn	17	18	19	21	23	25	29	29	31	34	35
	Aisi 304	33	34	35	37	39	41	44	45	47	50	51
	Aisi 430	27	28	29	31	33	35	39	39	41	44	45
	PVDF	20	21	22	24	26	28	31	32	34	37	38
	Pural Farm	22	23	24	27	29	31	34	35	37	39	41
	Granite Farm	22	23	24	27	29	31	34	35	37	39	41
	Food Safe	24	25	27	29	31	33	36	37	39	41	43
Zn	Ral	17	18	19	21	23	25	29	29	31	34	35
	Zn	17	18	19	21	23	25	28	29	31	34	35
	Aisi 304	32	33	35	37	39	41	44	45	47	49	51
	Aisi 430	27	28	29	31	33	35	38	39	41	44	45
	PVDF	20	21	22	24	26	28	31	32	34	36	38
	Pural Farm	22	23	24	26	28	31	34	34	36	39	41
	Granite Farm	22	23	24	26	28	31	34	34	36	39	41
	Food Safe	24	25	26	28	31	33	36	36	39	41	43
Aisi 304	Ral	33	34	35	37	39	41	44	45	47	50	51
	Zn	32	33	35	37	39	41	44	45	47	49	51
	Aisi 304	48	49	50	52	55	57	60	60	63	65	67
	Aisi 430	42	43	45	47	49	51	54	55	57	59	61
	PVDF	35	36	37	39	42	44	47	47	50	52	54
	Pural Farm	38	39	40	42	44	46	49	50	52	55	56
	Granite Farm	38	39	40	42	44	46	49	50	52	55	56
	Food Safe	40	41	42	44	46	48	52	52	54	57	58
Aisi 430	Ral	27	28	29	31	33	35	39	39	41	44	45
	Zn	27	28	29	31	33	35	38	39	41	44	45
	Aisi 304	42	43	45	47	49	51	54	55	57	59	61
	Aisi 430	37	38	39	41	43	45	48	49	51	54	55
	PVDF	29	30	32	34	36	38	41	42	44	46	48
	Pural Farm	32	33	34	36	38	41	44	44	46	49	51
	Granite Farm	32	33	34	36	38	41	44	44	46	49	51
	Food Safe	34	35	36	38	40	43	46	46	49	51	53
PVDF	Ral	20	21	22	24	26	28	31	32	34	37	38
	Zn	20	21	22	24	26	28	31	32	34	36	38
	Aisi 304	35	36	37	39	42	44	47	47	50	52	54
	Aisi 430	29	30	32	34	36	38	41	42	44	46	48
	PVDF	22	23	24	27	29	31	34	35	37	39	41
	Pural Farm	25	26	27	29	31	33	37	37	39	42	43
	Granite Farm	25	26	27	29	31	33	37	37	39	42	43
	Food Safe	27	28	29	31	33	36	39	39	41	44	45

PuralFarm	Ral	22	23	24	27	29	31	34	35	37	39	41
	Zn	22	23	24	26	28	31	34	34	36	39	41
	Aisi 304	38	39	40	42	44	46	49	50	52	55	56
	Aisi 430	32	33	34	36	38	41	44	44	46	49	51
	PVDF	25	26	27	29	31	33	37	37	39	42	43
	Pural Farm	27	29	30	32	34	36	39	40	42	44	46
	Granite Farm	27	29	30	32	34	36	39	40	42	44	46
	Food Safe	30	31	32	34	36	38	41	42	44	47	48
Granite Farm	Granite Farm	27	29	30	32	34	36	39	40	42	44	46
Food Safe	Food Safe	32	33	34	36	38	40	43	44	46	49	50
Paper	Paper	8	10	11	14	17	20	23	25	27	30	33
PVC film	PVC film	8	10	12	14	17	21	24	26	27	30	34
Foil	Foil	9	11	13	15	18	22	25	28	28	31	35

Polyisocyanurate (PIR)

Exterior coating		Panels' thickness, mm / Type of stud-spline joint								
		1x-spline			2x-spline				3x-spline	
Side A	Side B	40	50	60	80	100	120	150	200	
Fire resistance class		E115			E130				E145	
Ral	Ral	17	18	19	22	24	26	30	36	
	Zn	17	18	19	21	23	26	29	36	
	Aisi 304	33	34	35	37	39	41	45	51	
	Aisi 430	27	28	29	31	33	36	39	46	
	PVDF	20	21	22	24	26	28	32	38	
	Pural Farm	22	23	25	27	29	31	35	41	
	Granite Farm	22	23	25	27	29	31	35	41	
	Food Safe	25	26	27	29	31	33	37	43	
Zn	Ral	17	18	19	21	23	26	29	36	
	Zn	17	18	19	21	23	25	29	35	
	Aisi 304	33	34	35	37	39	41	45	51	
	Aisi 430	27	28	29	31	33	35	39	45	
	PVDF	20	21	22	24	26	28	32	38	
	Pural Farm	22	23	24	26	29	31	35	41	
	Granite Farm	22	23	24	26	29	31	35	41	
	Food Safe	24	25	26	29	31	33	37	43	
Aisi 304	Ral	33	34	35	37	39	41	45	51	
	Zn	33	34	35	37	39	41	45	51	
	Aisi 304	48	49	50	53	55	57	61	67	
	Aisi 430	42	43	45	47	49	51	55	61	
	PVDF	35	36	37	40	42	44	48	54	
	Pural Farm	38	39	40	42	44	47	50	56	
	Granite Farm	38	39	40	42	44	47	50	56	
	Food Safe	40	41	42	44	46	49	52	59	
Aisi 430	Ral	27	28	29	31	33	36	39	46	
	Zn	27	28	29	31	33	35	39	45	
	Aisi 304	42	43	45	47	49	51	55	61	
	Aisi 430	37	38	39	41	43	45	49	55	
	PVDF	30	31	32	34	36	38	42	48	
	Pural Farm	32	33	34	36	38	41	44	51	
	Granite Farm	32	33	34	36	38	41	44	51	
	Food Safe	34	35	36	38	41	43	47	53	
PVDF	Ral	20	21	22	24	26	28	32	38	
	Zn	20	21	22	24	26	28	32	38	
	Aisi 304	35	36	37	40	42	44	48	54	
	Aisi 430	30	31	32	34	36	38	42	48	
	PVDF	22	23	25	27	29	31	35	41	
	Pural Farm	25	26	27	29	31	34	37	44	
	Granite Farm	25	26	27	29	31	34	37	44	
	Food Safe	27	28	29	31	33	36	39	46	
PuralFarm	Ral	22	23	25	27	29	31	35	41	
	Zn	22	23	24	26	29	31	35	41	
	Aisi 304	38	39	40	42	44	47	50	56	
	Aisi 430	32	33	34	36	38	41	44	51	
	PVDF	25	26	27	29	31	34	37	44	
	Pural Farm	28	29	30	32	34	36	40	46	
	Granite Farm	28	29	30	32	34	36	40	46	
	Food Safe	30	31	32	34	36	38	42	48	
Granite Farm	Granite Farm	28	29	30	32	34	36	40	46	
Food Safe	Food Safe	32	33	34	36	38	40	44	50	
Paper	Paper	8	10	11	14	17	20	25	33	
PVC film	PVC film	8	10	12	14	17	21	26	34	
Foil	Foil	9	11	13	15	18	22	27	35	

ROOF PANELS



Polyisocyanurate (PIR)

Exterior coating		Panels' thickness (without rib height), mm					
Side A	Side B	40	60	80	100	120	150
Fire resistance class		RE 15	RE 30				
Ral	Ral	19	21	23	25	27	31
	Zn	19	21	23	25	27	31
	Aisi 304	37	39	41	43	46	49
	Aisi 430	30	33	35	37	39	42
	PVDF	22	24	26	28	30	34
	Pural Farm	25	27	29	31	33	37
	Granite Farm	25	27	29	31	33	37
	Food Safe	27	30	32	34	36	39
Zn	Ral	19	21	23	25	27	31
	Zn	18	21	23	25	27	31
	Aisi 304	37	39	41	43	45	49
	Aisi 430	30	32	34	36	39	42
	PVDF	22	24	26	28	30	34
	Pural Farm	25	27	29	31	33	37
	Granite Farm	25	27	29	31	33	37
	Food Safe	27	30	32	34	36	39
Aisi 304	Ral	37	39	41	43	46	49
	Zn	37	39	41	43	45	49
	Aisi 304	55	57	59	62	64	67
	Aisi 430	48	51	53	55	57	60
	PVDF	40	42	44	46	49	52
	Pural Farm	43	45	47	50	52	55
	Granite Farm	43	45	47	50	52	55
	Food Safe	46	48	50	52	54	58
Aisi 430	Ral	30	33	35	37	39	42
	Zn	30	32	34	36	39	42
	Aisi 304	48	51	53	55	57	60
	Aisi 430	42	44	46	48	50	54
	PVDF	33	36	38	40	42	45
	Pural Farm	36	39	41	43	45	48
	Granite Farm	36	39	41	43	45	48
	Food Safe	39	41	43	45	47	51
PVDF	Ral	22	24	26	28	30	34
	Zn	22	24	26	28	30	34
	Aisi 304	40	42	44	46	49	52
	Aisi 430	33	36	38	40	42	45
	PVDF	25	27	29	31	33	37
	Pural Farm	28	30	32	34	36	40
	Granite Farm	28	30	32	34	36	40
	Food Safe	30	33	35	37	39	42
PuralFarm	Ral	25	27	29	31	33	37
	Zn	25	27	29	31	33	37
	Aisi 304	43	45	47	50	52	55
	Aisi 430	36	39	41	43	45	48
	PVDF	28	30	32	34	36	40
	Pural Farm	31	33	35	37	40	43
	Granite Farm	31	33	35	37	40	43
	Food Safe	33	36	38	40	42	45
Granite Farm	Granite Farm	31	33	35	37	40	43
Food Safe	Food Safe	36	38	40	42	44	48

ProfHolod manufactures three-layered insulated panels at SAIP (Italy) and PuMa (Italy) production lines in Russia.



- **Maximum panel length: 16 meters.**
- **Panels core: rigid polyurethane foam (PUR, PIR) by Dow Chemical (Germany):**
 - core thermal conductivity coefficient $k = 0.02 \text{ W/(m K)}$
 - polyurethane foam density: up to 50 kg / m^3
- **Panels skin: high-quality metal of leading Russian and world suppliers (NLMK, MMK, Severstal, Arcelor, Ruukki, Lampre, etc.) with polymer coating:**
 - wide range of colors for panel skins according to RAL chart,
 - various polymer coatings of metal (polyester, pural, PVDF, or food laminate),
 - exterior profiling: flat or with ribs,
 - for transportation panels are wrapped in a $50 \mu\text{m}$ thick surface-protection plastic film.

Granite Farm: Corrosion resistant coating for agricultural facilities. Resistance against farm chemical agents for aggressive and medium aggressive environment. Coating thickness: $35 \mu\text{m}$.

Food Safe Laminate: Special coating for food products storage and processing facilities (meat and fish processing plants, dairy farming, etc.). Coating thickness: $110 \mu\text{m}$.

- **ProfHolod PIR insulated panels are certified with K1 fire resistance class (low hazard) according to GOST (Russian National Standard) 30403-96 and according to Russian Federal Law №123-FZ Technical regulation on fire safety requirements.**



Agrohim territory, bld. 58,
Shchelkovo, Moscow region,
Russia, 141101

+7 (925) 745-01-37



www.profolod.ru
www.propanel.ru