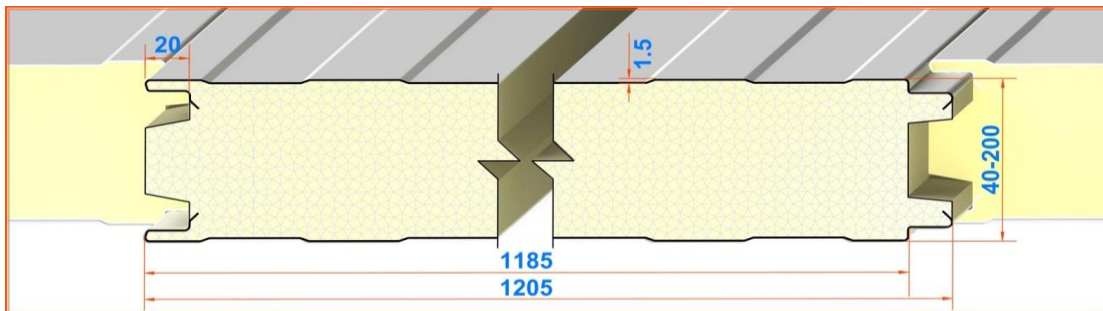


## ProfHod Polyurethane foam (PUR) insulated panels and Fireproof Polyisocyanurate (PIR) insulated panels

### VAT not included Price-list in US Dollars

**WALL PANELS**

**Polyurethane foam (PUR)**

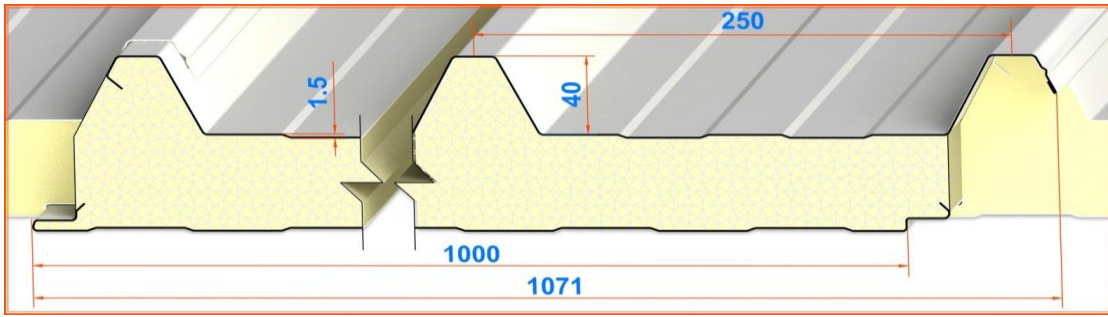
Exterior coating		Panels' thickness, mm / Type of stud-spline joint										
		1x-spline				2x-spline				3x-spline		
Side A	Side B	40	50	60	80	100	120	140	150	160	180	200
<b>Fire resistance class</b>		<b>EI 15</b>										
Ral	Ral	20	21	23	25	27	30	34	34	37	40	42
	Zn	20	21	22	25	27	30	33	34	37	40	41
	Aisi 304	38	39	41	43	46	48	52	52	55	58	60
	Aisi 430	31	33	34	36	39	41	45	46	48	51	53
	PVDF	23	24	26	28	30	33	37	37	40	43	45
	Pural Farm	26	27	29	31	33	36	40	40	43	46	48
	Granite Farm	26	27	29	31	33	36	40	40	43	46	48
	Food Safe	29	30	31	33	36	39	42	43	45	48	50
Zn	Ral	20	21	22	25	27	30	33	34	37	40	41
	Zn	20	21	22	24	27	29	33	34	36	39	41
	Aisi 304	38	39	40	43	45	48	51	52	55	58	59
	Aisi 430	31	32	34	36	38	41	45	45	48	51	53
	PVDF	23	24	25	28	30	33	36	37	40	43	44
	Pural Farm	26	27	28	31	33	36	39	40	43	46	47
	Granite Farm	26	27	28	31	33	36	39	40	43	46	47
	Food Safe	28	29	31	33	36	38	42	43	45	48	50
Aisi 304	Ral	38	39	41	43	46	48	52	52	55	58	60
	Zn	38	39	40	43	45	48	51	52	55	58	59
	Aisi 304	56	57	59	61	64	66	70	71	73	76	78
	Aisi 430	49	51	52	54	57	59	63	64	66	69	71
	PVDF	41	42	44	46	48	51	55	55	58	61	63
	Pural Farm	44	45	47	49	52	54	58	58	61	64	66
	Granite Farm	44	45	47	49	52	54	58	58	61	64	66
	Food Safe	47	48	49	52	54	57	60	61	63	66	68
Aisi 430	Ral	31	33	34	36	39	41	45	46	48	51	53
	Zn	31	32	34	36	38	41	45	45	48	51	53
	Aisi 304	49	51	52	54	57	59	63	64	66	69	71
	Aisi 430	43	44	45	48	50	53	56	57	59	62	64
	PVDF	34	36	37	39	42	44	48	49	51	54	56
	Pural Farm	37	39	40	42	45	47	51	52	54	57	59
	Granite Farm	37	39	40	42	45	47	51	52	54	57	59
	Food Safe	40	41	42	45	47	50	53	54	57	60	61
PVDF	Ral	23	24	26	28	30	33	37	37	40	43	45
	Zn	23	24	25	28	30	33	36	37	40	43	44
	Aisi 304	41	42	44	46	48	51	55	55	58	61	63
	Aisi 430	34	36	37	39	42	44	48	49	51	54	56
	PVDF	26	27	28	31	33	36	40	40	43	46	48
	Pural Farm	29	30	32	34	36	39	43	43	46	49	51
	Granite Farm	29	30	32	34	36	39	43	43	46	49	51
	Food Safe	32	33	34	36	39	41	45	46	48	51	53

PuralFarm	Ral	26	27	29	31	33	36	40	40	43	46	48
	Zn	26	27	28	31	33	36	39	40	43	46	47
	Aisi 304	44	45	47	49	52	54	58	58	61	64	66
	Aisi 430	37	39	40	42	45	47	51	52	54	57	59
	PVDF	29	30	32	34	36	39	43	43	46	49	51
	Pural Farm	32	33	35	37	39	42	46	46	49	52	54
	Granite Farm	32	33	35	37	39	42	46	46	49	52	54
	Food Safe	35	36	37	39	42	45	48	49	51	54	56
Granite Farm	Granite Farm	32	33	35	37	39	42	46	46	49	52	54
Food Safe	Food Safe	37	38	39	42	44	47	51	51	54	57	59
Paper	Paper	9	11	13	16	20	23	27	29	31	35	39
PVC film	PVC film	10	12	13	16	20	24	28	30	32	35	39
Foil	Foil	11	13	15	18	21	25	29	31	33	37	40

### Polyisocyanurate (PIR)

Exterior coating		Panels' thickness, mm / Type of stud-spline joint								
		1x-spline			2x-spline					3x-spline
Side A	Side B	40	50	60	80	100	120	150	200	
Fire resistance class		EI15			EI30				EI45	
Ral	Ral	20	21	23	25	28	30	35	42	
	Zn	20	21	22	25	27	30	34	42	
	Aisi 304	38	39	41	43	46	48	53	60	
	Aisi 430	31	33	34	36	39	41	46	53	
	PVDF	23	24	26	28	31	33	38	45	
	Pural Farm	26	27	29	31	34	36	41	48	
	Granite Farm	26	27	29	31	34	36	41	48	
	Food Safe	29	30	31	34	36	39	43	50	
Zn	Ral	20	21	22	25	27	30	34	42	
	Zn	20	21	22	25	27	30	34	41	
	Aisi 304	38	39	40	43	45	48	52	60	
	Aisi 430	31	32	34	36	39	41	46	53	
	PVDF	23	24	25	28	30	33	37	45	
	Pural Farm	26	27	28	31	33	36	40	48	
	Granite Farm	26	27	28	31	33	36	40	48	
	Food Safe	28	30	31	33	36	38	43	50	
Aisi 304	Ral	38	39	41	43	46	48	53	60	
	Zn	38	39	40	43	45	48	52	60	
	Aisi 304	56	58	59	61	64	66	71	78	
	Aisi 430	50	51	52	54	57	60	64	71	
	PVDF	41	42	44	46	49	51	56	63	
	Pural Farm	44	45	47	49	52	54	59	66	
	Granite Farm	44	45	47	49	52	54	59	66	
	Food Safe	47	48	49	52	54	57	61	68	
Aisi 430	Ral	31	33	34	36	39	41	46	53	
	Zn	31	32	34	36	39	41	46	53	
	Aisi 304	50	51	52	54	57	60	64	71	
	Aisi 430	43	44	45	48	50	53	57	64	
	PVDF	34	36	37	39	42	44	49	56	
	Pural Farm	37	39	40	42	45	47	52	59	
	Granite Farm	37	39	40	42	45	47	52	59	
	Food Safe	40	41	42	45	47	50	54	62	
PVDF	Ral	23	24	26	28	31	33	38	45	
	Zn	23	24	25	28	30	33	37	45	
	Aisi 304	41	42	44	46	49	51	56	63	
	Aisi 430	34	36	37	39	42	44	49	56	
	PVDF	26	27	29	31	34	36	40	48	
	Pural Farm	29	30	32	34	37	39	44	51	
	Granite Farm	29	30	32	34	37	39	44	51	
	Food Safe	32	33	34	37	39	42	46	53	
PuralFarm	Ral	26	27	29	31	34	36	41	48	
	Zn	26	27	28	31	33	36	40	48	
	Aisi 304	44	45	47	49	52	54	59	66	
	Aisi 430	37	39	40	42	45	47	52	59	
	PVDF	29	30	32	34	37	39	44	51	
	Pural Farm	32	33	35	37	40	42	47	54	
	Granite Farm	32	33	35	37	40	42	47	54	
	Food Safe	35	36	37	40	42	45	49	56	
Granite Farm	Granite Farm	32	33	35	37	40	42	47	54	
Food Safe	Food Safe	37	38	40	42	45	47	51	59	
Paper	Paper	9	11	13	16	20	23	29	39	
PVC film	PVC film	10	12	13	16	20	24	30	39	
Foil	Foil	11	13	15	18	21	25	31	40	

**ROOF PANELS**



**Polyisocyanurate (PIR)**

Exterior coating		Panels' thickness (without rib height), mm					
Side A	Side B	40	60	80	100	120	150
<b>Fire resistance class</b>		RE 15		RE 30			
Ral	Ral	22	25	27	30	32	36
	Zn	22	25	27	29	32	36
	Aisi 304	43	46	48	51	53	57
	Aisi 430	35	38	40	43	45	49
	PVDF	26	28	31	33	36	40
	Pural Farm	29	32	34	37	39	43
	Granite Farm	29	32	34	37	39	43
	Food Safe	32	35	37	40	42	46
Zn	Ral	22	25	27	29	32	36
	Zn	21	24	27	29	32	36
	Aisi 304	43	46	48	50	53	57
	Aisi 430	35	38	40	43	45	49
	PVDF	25	28	30	33	35	39
	Pural Farm	29	32	34	36	39	43
	Granite Farm	29	32	34	36	39	43
	Food Safe	32	34	37	39	42	46
Aisi 304	Ral	43	46	48	51	53	57
	Zn	43	46	48	50	53	57
	Aisi 304	64	67	69	72	74	78
	Aisi 430	56	59	61	64	66	70
	PVDF	47	49	52	54	57	61
	Pural Farm	50	53	55	58	60	64
	Granite Farm	50	53	55	58	60	64
	Food Safe	53	56	58	61	63	67
Aisi 430	Ral	35	38	40	43	45	49
	Zn	35	38	40	43	45	49
	Aisi 304	56	59	61	64	66	70
	Aisi 430	48	51	54	56	58	63
	PVDF	39	41	44	46	49	53
	Pural Farm	42	45	47	50	52	56
	Granite Farm	42	45	47	50	52	56
	Food Safe	45	48	50	53	55	59
PVDF	Ral	26	28	31	33	36	40
	Zn	25	28	30	33	35	39
	Aisi 304	47	49	52	54	57	61
	Aisi 430	39	41	44	46	49	53
	PVDF	29	32	34	37	39	43
	Pural Farm	33	35	38	40	43	47
	Granite Farm	33	35	38	40	43	47
	Food Safe	35	38	41	43	45	50
PuralFarm	Ral	29	32	34	37	39	43
	Zn	29	32	34	36	39	43
	Aisi 304	50	53	55	58	60	64
	Aisi 430	42	45	47	50	52	56
	PVDF	33	35	38	40	43	47
	Pural Farm	36	39	41	44	46	50
	Granite Farm	36	39	41	44	46	50
	Food Safe	39	42	44	47	49	53
Granite Farm	Granite Farm	36	39	41	44	46	50
Food Safe	Food Safe	42	45	47	49	52	56

ProfHolod manufactures three-layered insulated panels at SAIP (Italy) and PuMa (Italy) production lines in Russia.



- **Maximum panel length: 16 meters.**
- **Panels core: rigid polyurethane foam (PUR, PIR) by Dow Chemical (Germany):**
  - core thermal conductivity coefficient  $k = 0.02 \text{ W/(m}\cdot\text{K)}$
  - polyurethane foam density: up to  $50 \text{ kg / m}^3$
- **Panels skin: high-quality metal of leading Russian and world suppliers (NLMK, MMK, Severstal, Arcelor, Ruukki, Lampre, etc.) with polymer coating:**
  - wide range of colors for panel skins according to RAL chart,
  - various polymer coatings of metal (polyester, pural, PVDF, or food laminate),
  - exterior profiling: flat or with ribs,
  - for transportation panels are wrapped in a  $50 \mu\text{m}$  thick surface-protection plastic film.

**Granite Farm:** Corrosion resistant coating for agricultural facilities. Resistance against farm chemical agents for aggressive and medium aggressive environment. Coating thickness:  $35 \mu\text{m}$ .

**Food Safe Laminate:** Special coating for food products storage and processing facilities (meat and fish processing plants, dairy farming, etc.). Coating thickness:  $110 \mu\text{m}$ .

- **ProfHolod PIR insulated panels are certified with K1 fire resistance class (low hazard) according to GOST (Russian National Standard) 30403-96 and according to Russian Federal Law №123-FZ Technical regulation on fire safety requirements.**



Agrohim territory, bld. 58,  
Shchelkovo, Moscow region,  
Russia, 141101

+7 (925) 745-01-37



[www.profhod.ru](http://www.profhod.ru)  
[www.profpanel.ru](http://www.profpanel.ru)